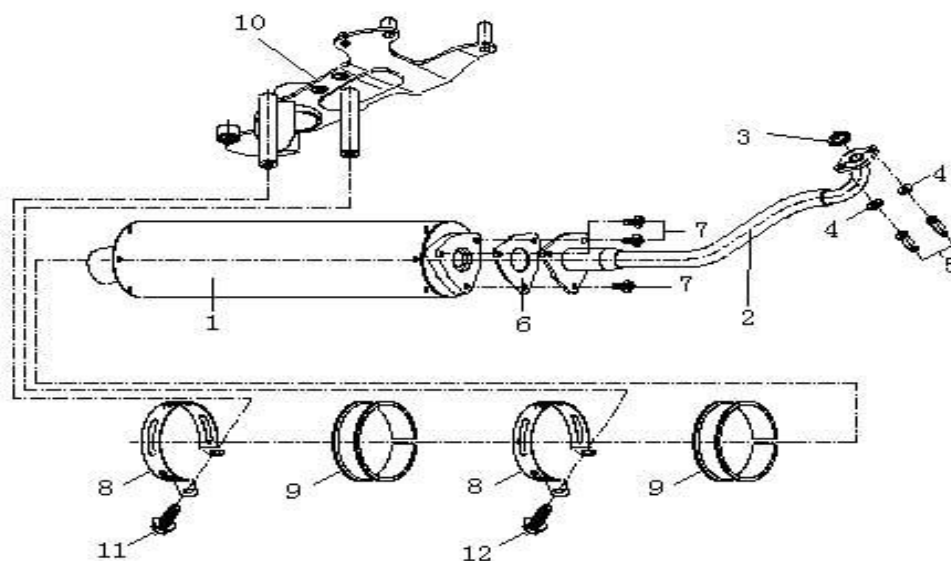


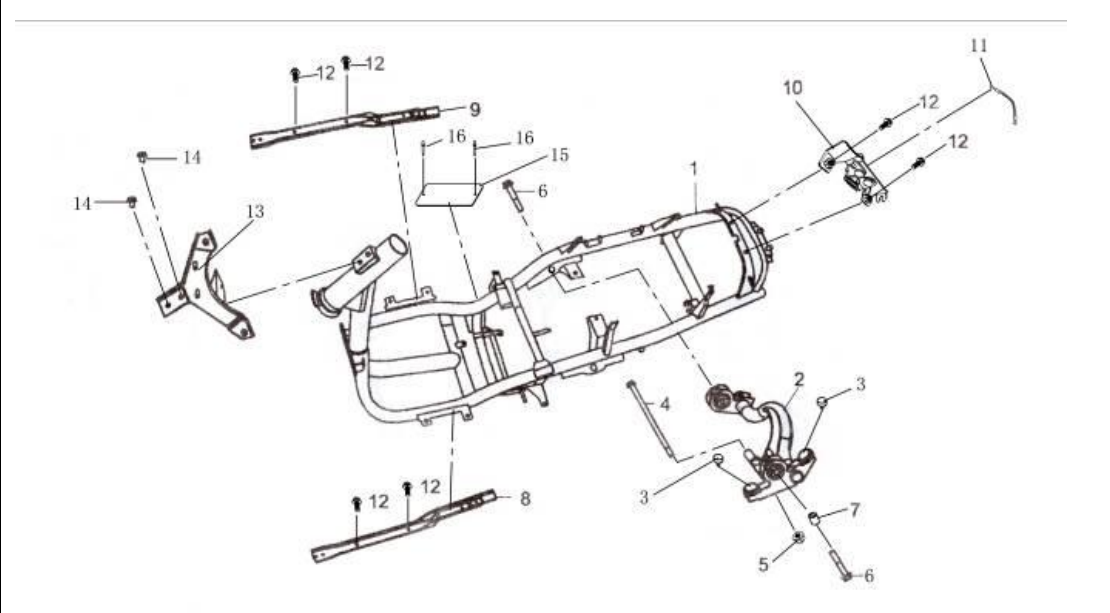
YY125T-12 部分目录

图 1	消声器	Model	YY125T-12
Draft 1	EXHAUST M	Part No.	YYLY15001000

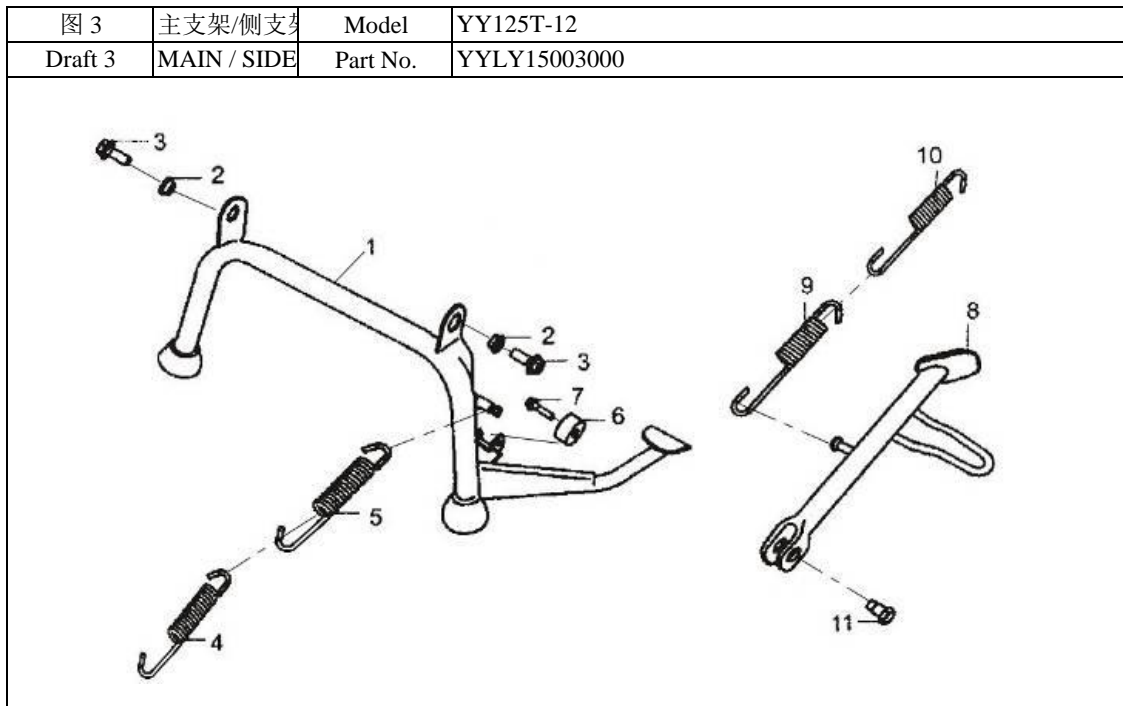


NO.	Part NO.	Description
1		
1		
1	YYLY15001001	Pipe, Exhaust Muffler
2	YYLY15001002	Front Tube, Exhaust Muffler
3	YYLY15001003	Washer, Exhaust Outlet
4	YYLY15001004	Washer
5	YYLY15001005	Cap Nut, M6*32
6	YYLY15001006	Asbestos Gasket, Muffler
7	GB/T5789-M8×16	Flange Bolt, M8×16
8	YYLY15001007	Fixing Ring, Muffler
9	YYLY15001008	Rubber Cushion Strip, Muffler Fixing Ring
10	YYLY15001009	Connecting Plate, Engine
11	GB/T5789-M8×50	Flange Bolt, M8×50
12	GB/T5789-M8×60	Flange Bolt, M8×60

图 2	车架	Model	YY125T-12
Draft 2	FRAME	Part No.	YYLY15002000

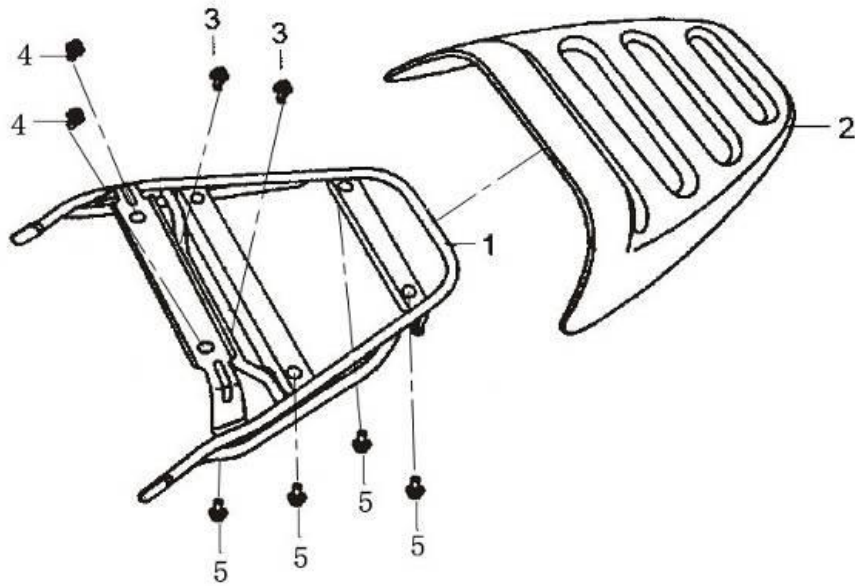


NO.	Part NO.	Description
1	YYLY15002001	Frame
2	YYLY15002002	Engine Mount
3	YYLY15002003	Cushioning Rubber, Engine Mount
4	YYLY15002004	Engine Mount Bolt, M10×1.25×280
5	GB/T6185.2-M10×1.25	Lock Nut, M10×1.25
6	GB/T5789-M10×1.25×55	Flange Bolt, M10×1.25×55
7	YYLY15002005	Collar, φ 11×φ 18×5.5
8	YYLY15002006	L. Side Holder
9	YYLY15002007	R. Side Holder
10	YYLY15002008	Holder, Seat Lock
11	YYLY15002009	Cable, Seat Lock
12	GB/T5789-M6×16	Bolt, M6×16
13	YYLY15002010	Bracket, Horn
14	GB/T5789-M8×12	Bolt, M8×12
15	YYLY15002011	Statutory Inscription Plate
16	GB/T12615	Rivet, Statutory Inscription Plate



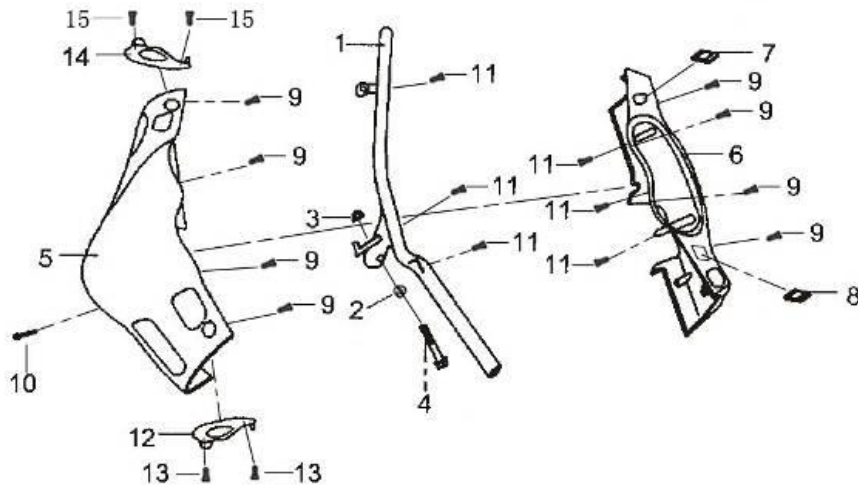
NO.	Part NO.	Description
1	YYLY15003001	Main Stand Assy
2	YYLY15003002	T-Collar, Main Stand
3	GB/T5789-M10×30	Flange Bolt, M10×30
4	YYLY15003003	Side Spring, Main Stand
5	YYLY15003004	Spring, Main Stand
6	YYLY15003005	Retainer Rubber, Main Stand
7	GB/T5789-M6×30	Flange Bolt, M6×30
8	YYLY15003006	Side Stand Assy
9	YYLY15003007	Spring, Side Stand
10	YYLY15003008	Side Spring, Side Stand
11	YYLY15003009	Bolt, Side Stand

图 4	后货架	Model	YY125T-12
Draft 4	REAR BAGG	Part No.	YYLY15004000



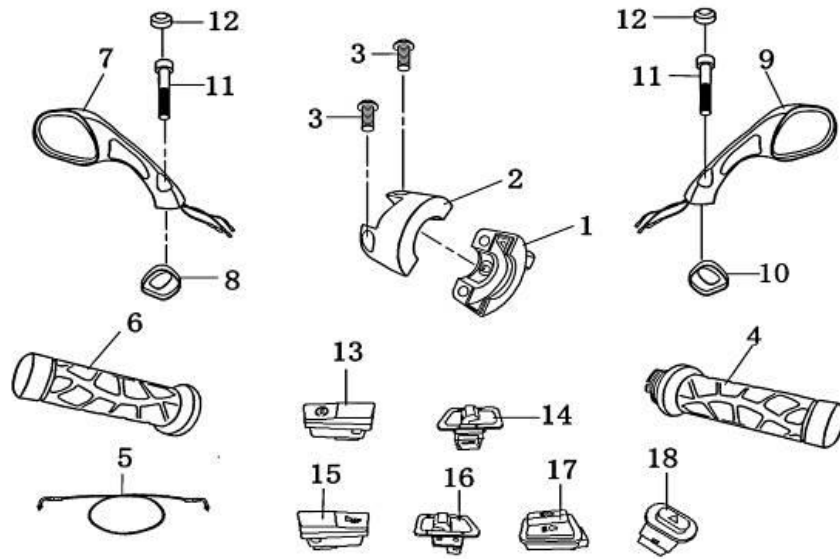
NO.	Part NO.	Description
1	YYLY15004001	Handle, Baggage Rack
2	YYLY15004002	Baggage Rack
3	GB/T5789-M8×12	Flange Bolt,M8×12
4	GB/T5789-M6×16	Flange Bolt,M6×16
5	GB/T5789-M6×12	Flange Bolt,M6×12

图 5	方向把/方向把	Model	YY125T-12
Draft 5	HANDLE, MI	Part No.	YYLY15005000



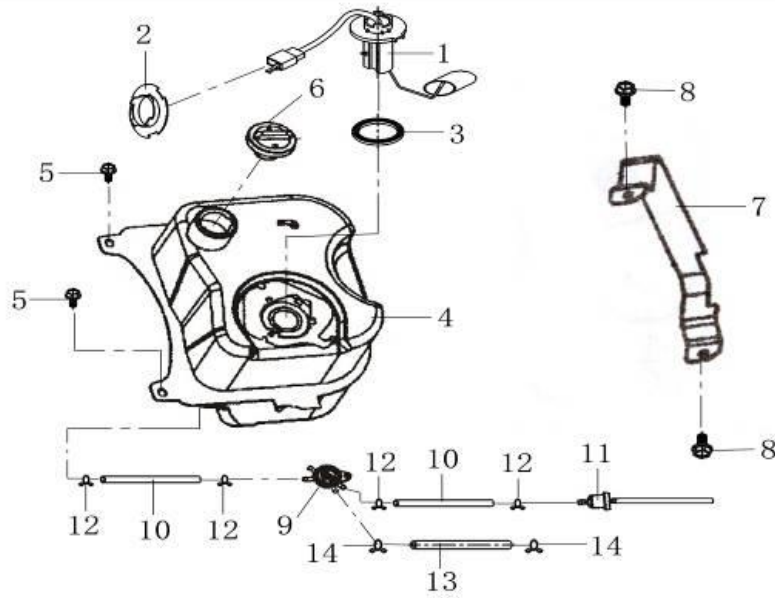
NO.	Part NO.	Description
1	YYLY15005001	Handle Comp
2	YYLY15005002	Lock Collar
3	GB/T6187.1-M10	Flange Lock Nut, M10
4	GB/T5789-M10×50	Flange Bolt, M10×50
5	YYLY15005003	Case, Front Turning Light
6	YYLY15005004	Case, Meter
7	YYLY15005005	R. Window Len, Front Disc. Brake
8	YYLY15005006	L. Window Len, Rear Disc. Brake
9	GB/T845-ST4.2×12	Screw, Tapping ST4.2×12
10	GB/T818-M5×30	Bolt, M5×30
11	GB/T845-ST4.8×16	Screw, Tapping ST4.8×16
12	YYLY15005007	Cover, L. Handlebar
13	GB/T845-ST4.2×12	Screw, Tapping ST4.2×12
14	YYLY15005008	Cover, R. Handlebar
15	GB/T845-ST4.2×12	Screw, Tapping ST4.2×12

图 6	操纵手把/后视	Model	YY125T-12
Draft 6	REARVIEW MIRROR CABLE SWITCH	Part No.	YYLY15006000



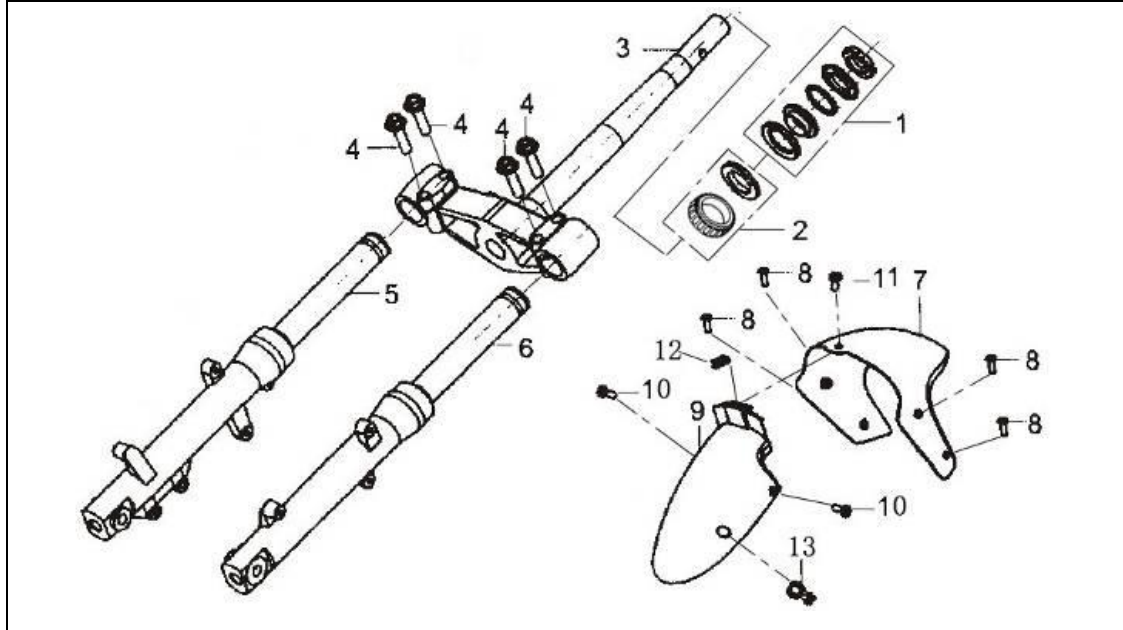
NO.	Part NO.	Description
1	YYLY15006001	Holder, Throttle at Right Handle
2	YYLY15006002	Rear Holder, Throttle Cable
3	GB/T818-M5×30	Screw, M5×30
4	YYYYL15006003	Rubber Grip, R. Handle(Throttle Control)
5	YYYYL15006004	Throttle Cable
6	YYYYL15006005	Rubber Grip, L. Handle
7	YYYYL15006006	Rear View Mirror, L.
8	YYYYL15006007	Rubber Cover, L. Rear View Mirror
9	YYYYL15006008	Rear View Mirror, R.
10	YYYYL15006009	Rubber Cover, R. Rear View Mirror
11	GB/T70.1-M8×35	Inner Hex Bolt, M8×35
12	YYYYL15006010	Rubber Collar, R. & L. Rear View Mirror
13	YYYYL15006011	Electric Start Switch
14	YYYYL15006012	Headlight Switch
15	YYYYL15006013	Horn Switch
16	YYYYL15006014	Turning Light Switch
17	YYYYL15006015	Dimmer Switch
18	YYYYL15006016	Passing Switch

图 7	燃油箱	Model	YY125T-12
Draft 7	FUEL TANK	Part No.	YYLY15007000



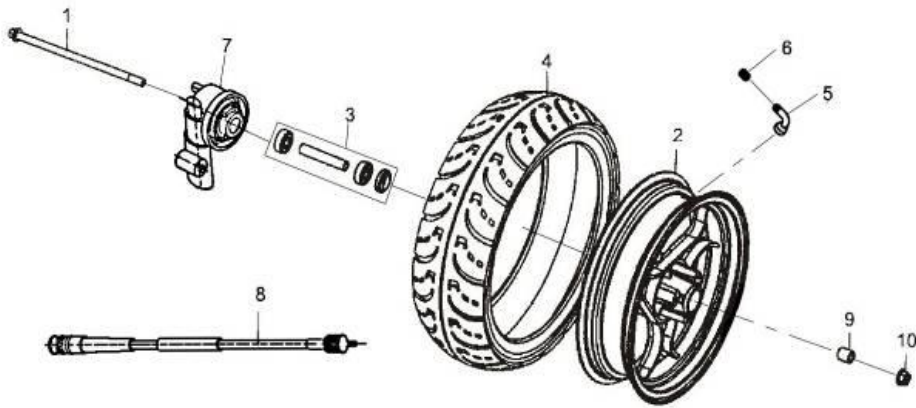
NO.	Part NO.	Description
1	YYLY15007001	Fuel Level Sensor
2	YYLY15007002	Block Cap, Sensor
3	YYLY15007003	Oil Seal Gasket for Sensor
4	YYLY15007004	Fuel Tank Assy
5	GB/T5789-M6×16	Bolt, M6×16
6	YYLY15007005	Cap Assy, Fuel Tank
7	YYLY15007006	Block Cap, Fuel Tank
8	GB/T5789-M8×16	Bolt, M8×16
9	YYLY15007007	Fuel Valve Assy
10	YYLY15007008	Fuel Tube
11	YYLY15007009	Fuel Filter
12	YYLY15007010	Clip, Fuel Tube φ5
13	YYLY15007011	Vacuum Air Tube
14	YYLY15007012	Clip, Fuel Tube φ4

图 8	方向柱/前减震	Model	YY125T-12
Draft 8	STEERING /	Part No.	YYLY15008000



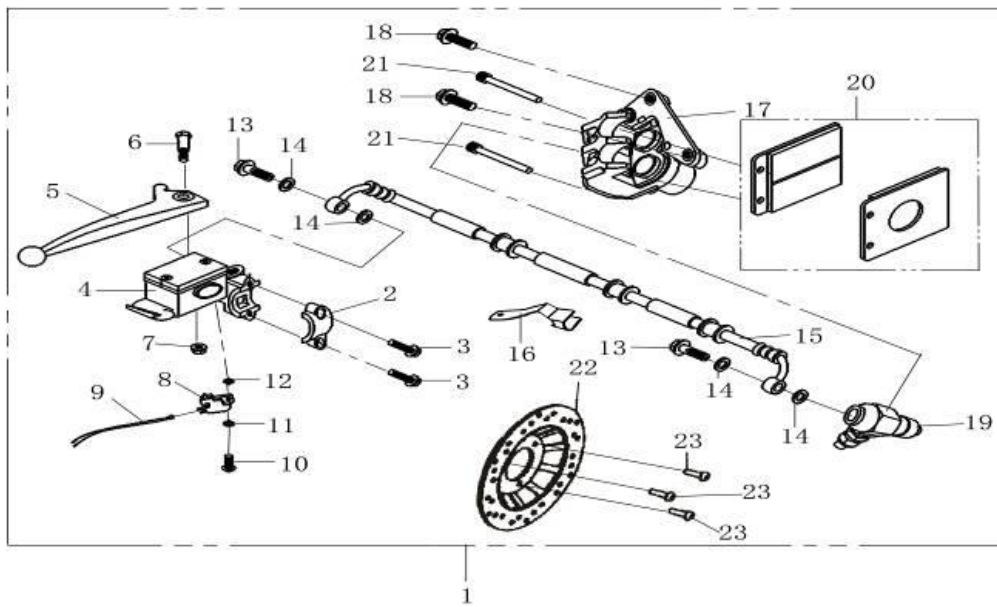
NO.	Part NO.	Description
1	YYLY15008001	Top Protrude, Steel Ball Bowl Assy
2	YYLY15008002	Bottom Concave, Steel Ball Bowl Assy
3	YYLY15008003	Lower Bridge Assy, Steer Stem
4	GB/T5789-M10×1.25×35	Bolt, M10×1.25×35
5	YYLY15008004	L. Front Shock Absorber
6	YYLY15008005	R. Front Shock Absorber
7	YYLY15008006	Front, Front Mudguard
8	YYLY15008007	Screw, M6×12
9	YYLY15008008	Rear, Front Mudguard
10	YYLY15008007	Screw, M6×12
11	YYLY15008009	Screw, M6×12
12	YYLY15008010	Clamp Nut M6
13	YYLY15008011	Clip

图 9	前轮	Model	YY125T-12
Draft 9	FRONT WHE	Part No.	YYLY15009000



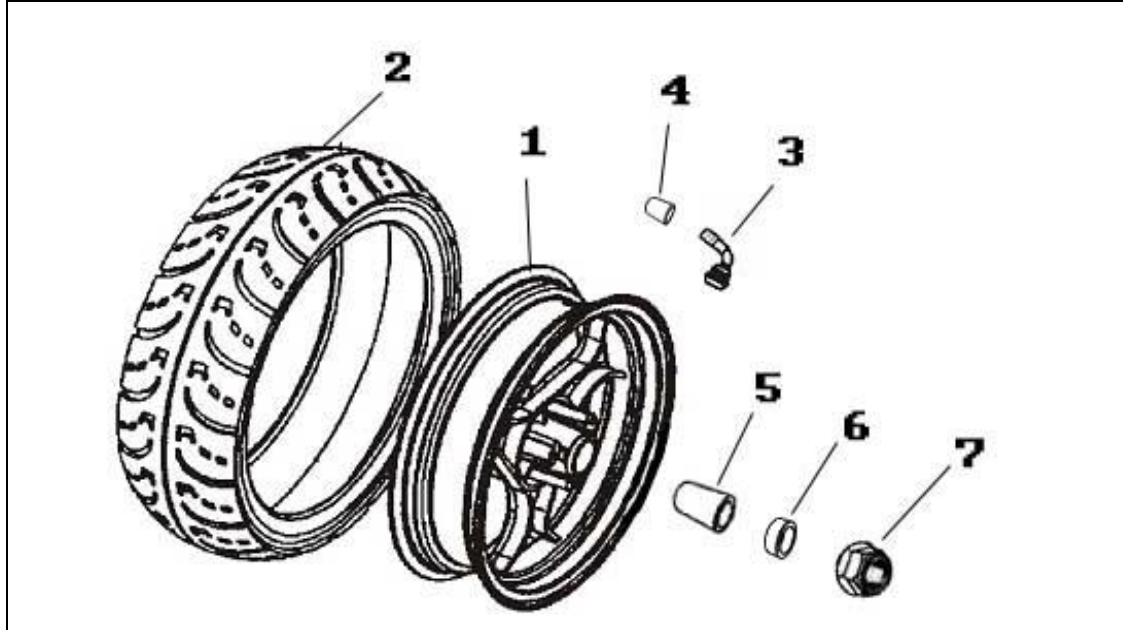
NO.	Part NO.	Description
1	YYLY15009001	Axle, Front Wheel, M12×245
2	YYLY15009002	Rim, Front Wheel
3	YYLY15009003	Separate Collar Set, Front Wheel Axle
4	YYLY15009004	Tyre, Front Wheel 130/60-13
5	YYLY15009005	Tubeless Valve
6	YYLY15009006	Cap, Tubeless Valve
7	YYLY15009007	Count Gear Box, Odometer
8	YYLY15009008	Cable, Odometer
9	YYLY15009009	Collar, $\phi 12 \times \phi 23 \times 21$
10	GB/T6187.1-M12	Flange Lock Nut, M12

图 10	前液压制动器	Model	
Draft 10	FRONT HYD	Part No.	YYLY15010000



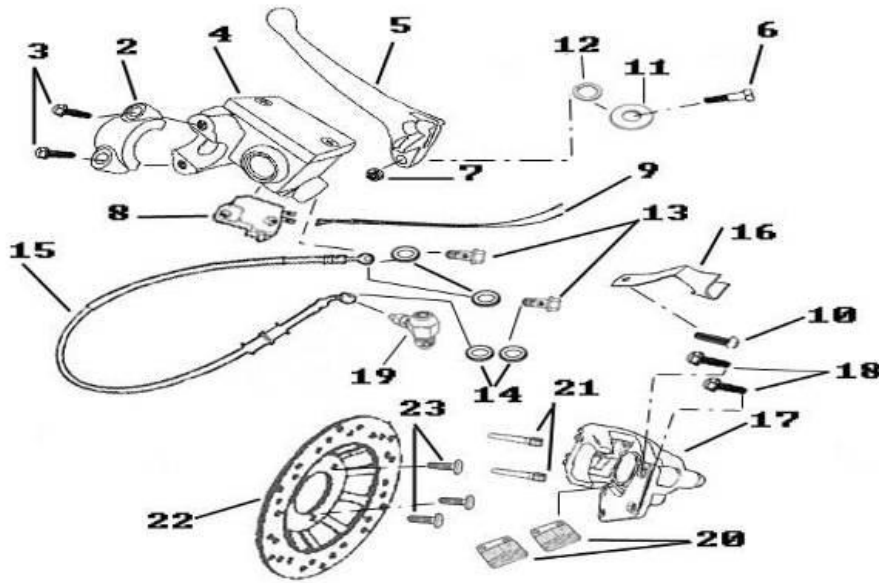
NO.	Part NO.	Description
1	YYLY15010000	Front Hydraulic Brake System
2	YYLY15010001	Cap, Front Hydraulic Cylinder
3	GB/T5789-M6×22	Flange Bolt, M6×22
4	YYLY15010002	Front Hydraulic Cylinder Comp
5	YYLY15010003	Lever, Right Handle
6	YYLY15010004	Bolt, Front Brake Lever
7	GB/T6187.1-M6	Flange Lock Nut, M6
8	YYLY15010005	Switch, Front Brake
9	YYLY15010006	Wire Cable, Front Brake Switch
10	GB/T818-M4×12	Screw, M4×12
11	GB/T95- φ 4	Plain Washer, φ4
12	GB/T93- φ 4	Spring Washer, φ4
13	YYLY15010007	Connect Bolt, Hose, Front Brake
14	YYLY15010008	Copper Washer
15	YYLY15010009	Hydraulic Hose, Front Brake
16	YYLY15010010	Clip, Front Hydraulic Hose
17	YYLY15010011	Caliper Comp, Front Brake
18	GB/T5789-M8×25	Flange Bolt, M8×25
19	YYLY15010012	ABS Assy
20	YYLY15010013	Brake Plate Assy, Front Brake
21	YYLY15010014	Bolt, Brake Plate Assy, Front Brake
22	YYLY15010015	Brake Disc. Assy, Front Wheel
23	GB/T2672-M8×25	Inner Hex Bolt, M8×25

图 11	后轮	Model	YY125T-12
Draft 11	REAR WHEEL	Part No.	YYLY15011000



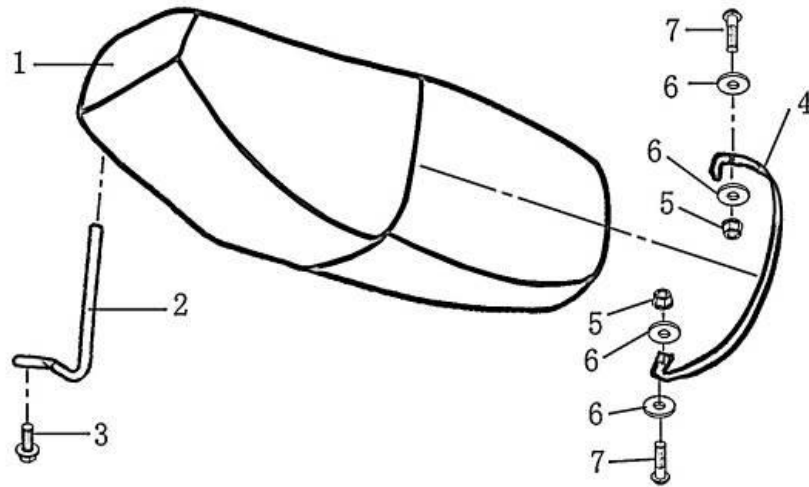
NO.	Part NO.	Description
1	YYLY15011001	Rim, Rear Wheel
2	YYLY15011002	Tyre, Rear Wheel 130/60-13
3	YYLY15011003	Tubeless Valve
4	YYLY15011004	Cap, Tubeless Valve
5	YYLY15011005	Collar, $\phi 17 \times \phi 25 \times 22$
6	YYLY15011006	Collar II, $\phi 17 \times \phi 25 \times 5$
7	GB/T6187.1-M16	Flange Lock Nut, M16

图 12	后液压制动器	Model	YY125T-12
Draft 12	REAR HYDR	Part No.	YYLY15012000

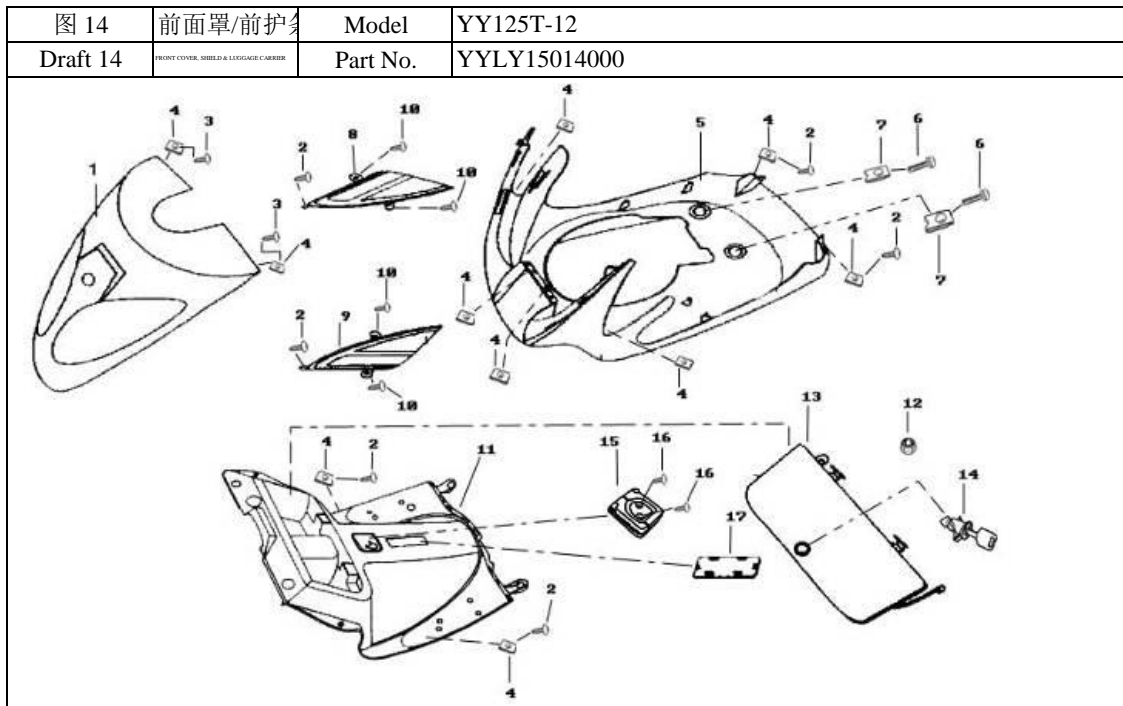


NO.	Part NO.	Description
1	YYLY15012000	Rear Hydraulic Brake System
2	YYLY15012001	Cap, Rear Hydraulic Cylinder
3	GB/T5789-M6×22	Bolt, M6×22
4	YYLY15012002	Rear Hydraulic Cylinder Comp
5	YYLY15012003	Lever, Left Handle
6	YYLY15012004	Bolt, Rear Brake Lever
7	GB/T6187.1-M6	Flange Lock Nut, M6
8	YYLY15012005	Switch, Rear Brake
9	YYLY15012006	Wire Cable, Rear Brake Switch
10	GB/T818-M4×12	Screw, M4×12
11	GB/T95- φ 4	Plain Washer, φ4
12	GB/T93- φ 4	Spring Washer, φ4
13	YYLY15012007	Connect Bolt, Hose, Front Brake
14	YYLY15012008	Copper Washer
15	YYLY15012009	Hydraulic Hose, Rear Brake
16	YYLY15012010	Clip, Rear Hydraulic Hose
17	YYLY15012011	Caliper Comp, Rear Brake
18	GB/T5789-M8×25	Bolt, M8×25
20	YYLY15012013	Brake Plate Assy, Rear Brake
21	YYLY15012014	Bolt, Brake Plate Assy, Rear Brake
22	YYLY15012015	Brake Disc. Assy, Rear Wheel
23	YYLY15012016	Fixing Bolt, Rear Brake Disc.

图 13	座垫	Model	YY125T-12
Draft 13	SEAT	Part No.	YYLY15013000

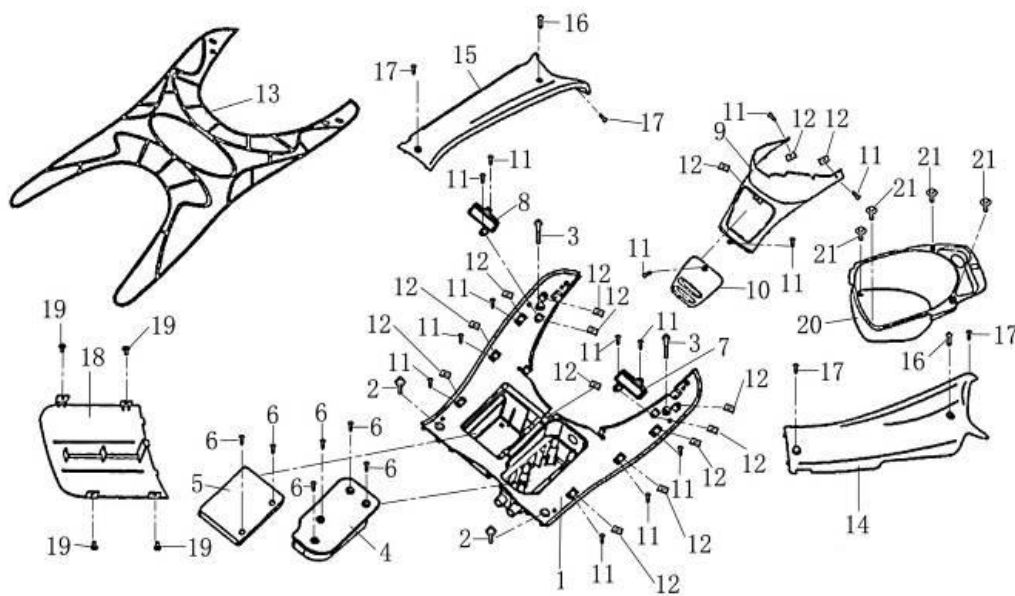


NO.	Part NO.	Description
1	YYLY15013001	Seat Assy
2	YYLY15013002	Axle Pin, Seat
3	GB/T5789-M6×16	Bolt, M6×16
4	YYLY15013003	Seat Decorating Belt
5	GB/T6177.1-M6	Nut, M6
6	GB/T95- φ 6	Plain Washer, φ6
7	GB/T818-M6×22	Screw, M6×22



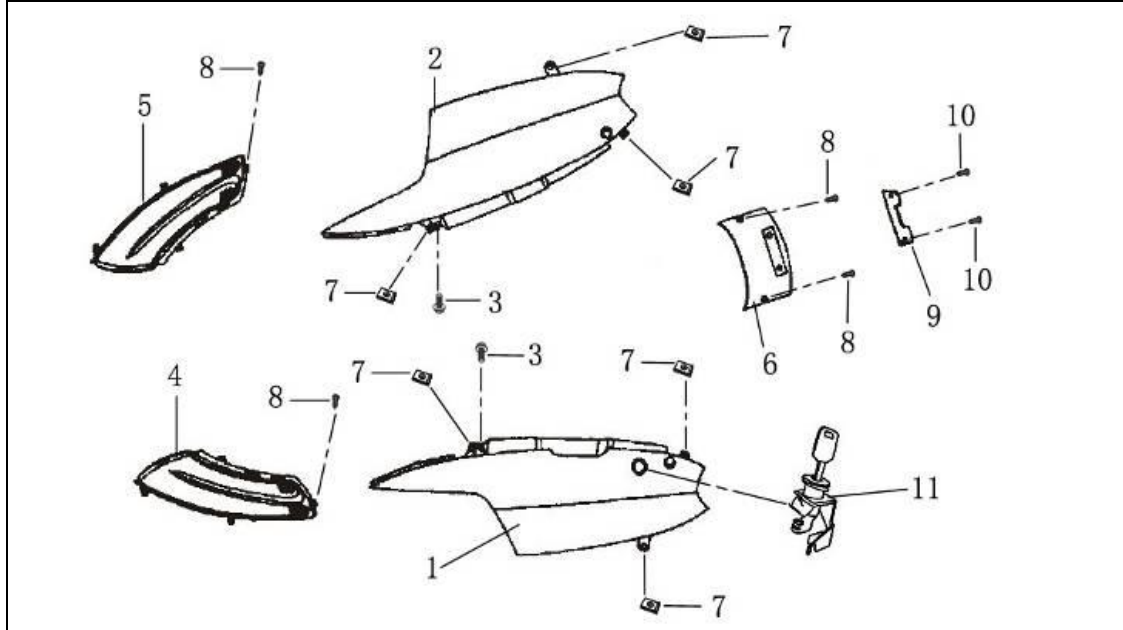
NO.	Part NO.	Description
1	YYLY15014001	Front Cover
2	GB/T845-ST4.2×16	Screw, Tapping ST4.2×16
3	GB/T845-ST4.8×16	Screw, Tapping ST4.8×16
4	YYLY15014002	Clamp, 4.2mm
5	YYLY15014003	Front Shield
6	GB/T9074.1-M6×16	Bolt with Washer, M6×16
7	YYLY15014004	Clamp Nut, M6
8	YYLY15014005	Left Intake Fender
9	YYLY15014006	Right Intake Fender
10	GB/T845-ST4.8X12	Screw, Tapping ST4.8×12
11	YYLY15014007	Front Luggage Carrier
12	GB/T6177.1-M6	Nut, M6
13	YYLY15014008	Cover, Front Luggage Carrier
14	YYLY15014009	Lock Assy, Front Luggage Carrier Cover
15	YYLY15014010	Hook, Helmet
16	GB/T845-ST4.2×16	Screw, Tapping ST4.2×16
17	YYLY15014011	Cover, Chassis No.

图 15	脚踏底板/置物架	Model	YY125T-12
Draft 15	FOOTREST, LUGGAGE CABINET & ITS FRONT COVER	Part No.	YYLY15015000



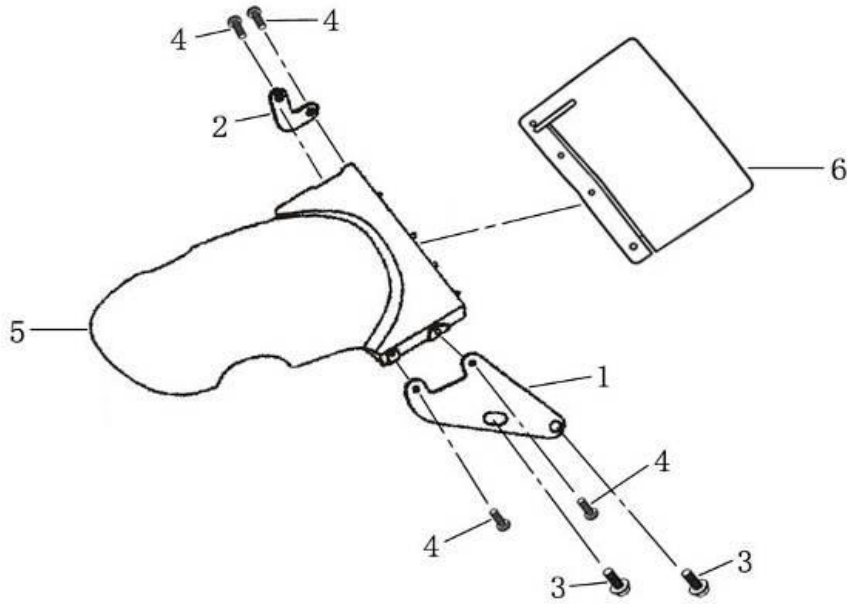
NO.	Part NO.	Description
1	YYLY15015001	Footrest Base Panel
2	YYLY15015002	Step Bolt, M6×16
3	GB/T5789-M6×38	Bolt, M6×38
4	YYLY15015003	L. Cover, Battery
5	YYLY15015004	R. Cover, Battery
6	GB/T845-ST4.8×16	Screw, Tapping ST4.8×16
7	YYLY15015005	L. Small Footrest Panel
8	YYLY15015006	R. Small Footrest Panel
9	YYLY15015007	Front Cover, Luggage Cabinet
10	YYLY15015008	Cap, Front Cover, Luggage Cabinet
11	GB/T845-ST4.8×16	Screw, Tapping ST4.8×16
12	YYLY15015009	Clamp, 4.2mm
13	YYLY15015010	Rubber Mat
14	YYLY15015011	Left Shield
15	YYLY15015012	Right Shield
16	GB/T818-M6×16	Screw, M6×16
17	GB/T845-ST4.8×12	Screw, Tapping ST4.8×12
18	YYLY15015013	Fender, Frame
19	GB/T5789-M6×12	Bolt, M6×12
20	YYLY15015014	Luggage Cabinet
21	GB/T9074.14-M6×16	Bolt with Washer, M6×16

图 16	车体护板	Model	YY125T-12
Draft 16	SIDE & REAR	Part No.	YYLY15016000



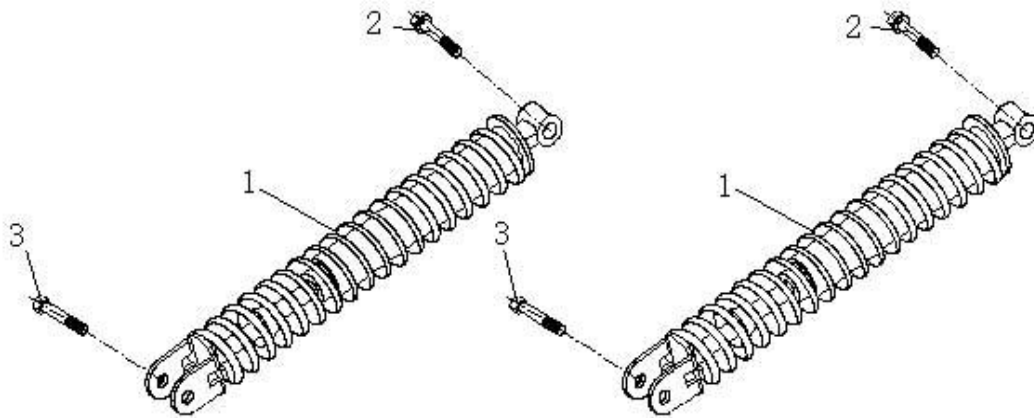
NO.	Part NO.	Description
1	YYLY15016001	L. Decorating Cover
2	YYLY15016002	R. Decorating Cover
3	GB/T5789-M6×16	Flange Bolt, M6×16
4	YYLY15016003	L. Decorating Plate
5	YYLY15016004	R. Decorating Plate
6	YYLY15016005	Rear Central Decorating Cover
7	YYLY15016006	Clamp, 4.2mm
8	GB/T845-ST4.8×12	Screw, Tapping ST4.8×12
9	YYLY15016007	Rear Shield
10	GB/T845-ST4.8×16	Screw, Tapping ST4.8×16
11	YYLY15016008	Lock Assy, Seat

图 17	后轮挡泥板	Model	YY125T-12
Draft 17	REAR MUDGUARD	Part No.	YYLY15017000



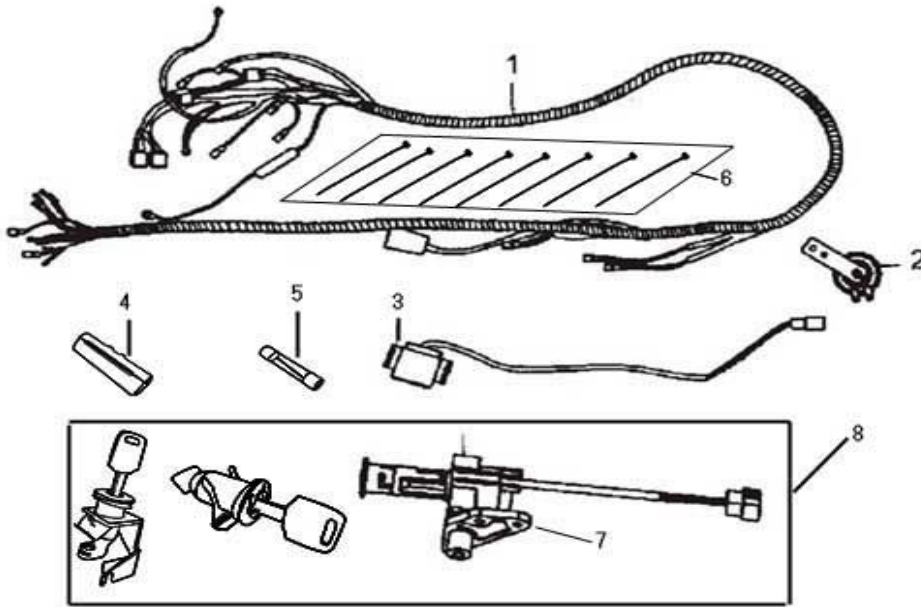
NO.	Part NO.	Description
1	YYLY15017001	Right Bracket, Rear Mudguard
2	YYLY15017002	Left Bracket, Rear Mudguard
3	GB/T5789-M8×16	Flange Bolt, M8×16
4	GB/T9074.1-M6×16	Screw with Washer, M6×16
5	YYLY15017003	Rear Mudguard, Rear Wheel
6	YYLY15017004	Splash Fender

图 18	后减震器	Model	YY125T-12
Draft 18	REAR SHOC	Part No.	YYLY15018000



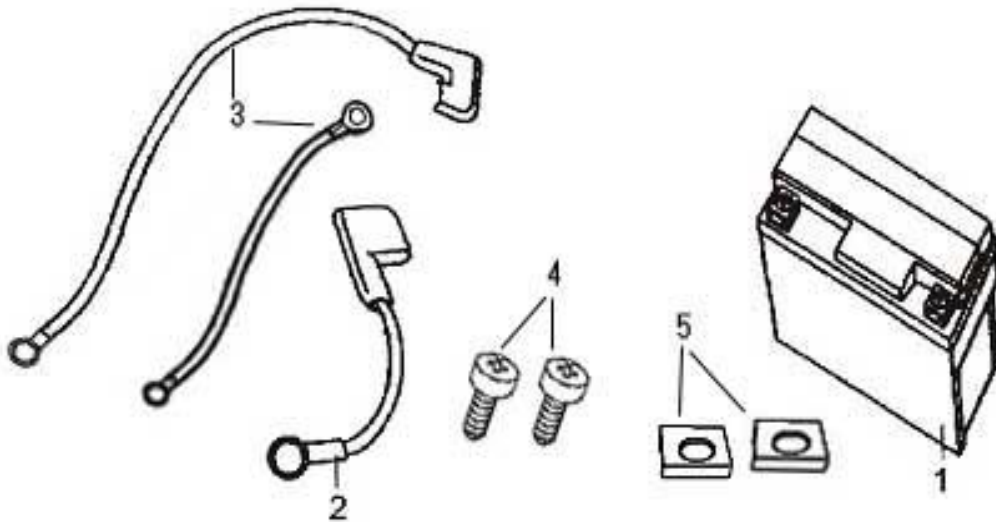
NO.	Part NO.	Description
1	YYLY15018001	Rear Shock Absorber Assy
2	GB/T5789-M10×40	Flange Bolt, M10×40
3	GB/T5780-M8×32	Hex Bolt, M8×32

图 19	主电缆	Model	YY125T-12
Draft 19	WIRE HARN	Part No.	YYLY15019000



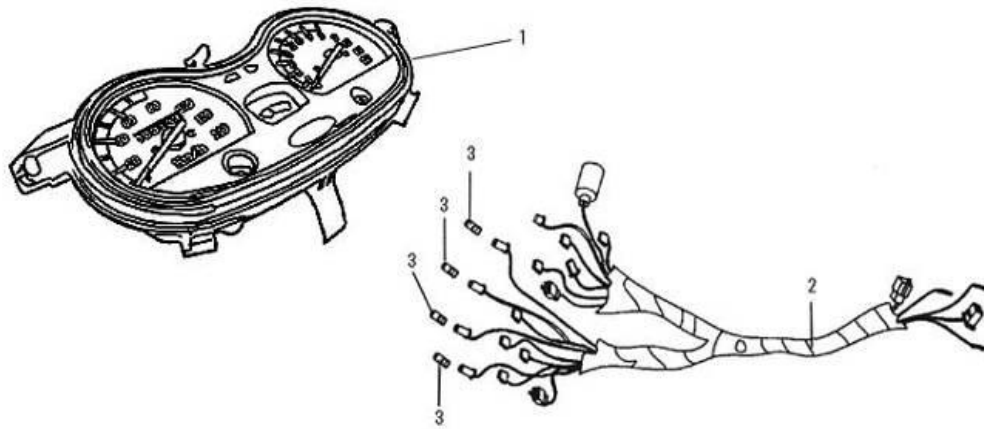
NO.	Part NO.	Description
1	YYLY15019001	Wire Harness
2	YYLY15019002	Horn
3	YYLY15019003	Winker Relay
4	YYLY15019004	Fuse Box
5	YYLY15019005	Fuse 7A
6	YYLY15019006	Strip Set根
7	YYLY15019007	Ignition Switch
8	YYLY15019008	Ignition Switch

图 20	蓄电池	Model	YY125T-12
Draft 20	BATTERY	Part No.	YYLY15020000



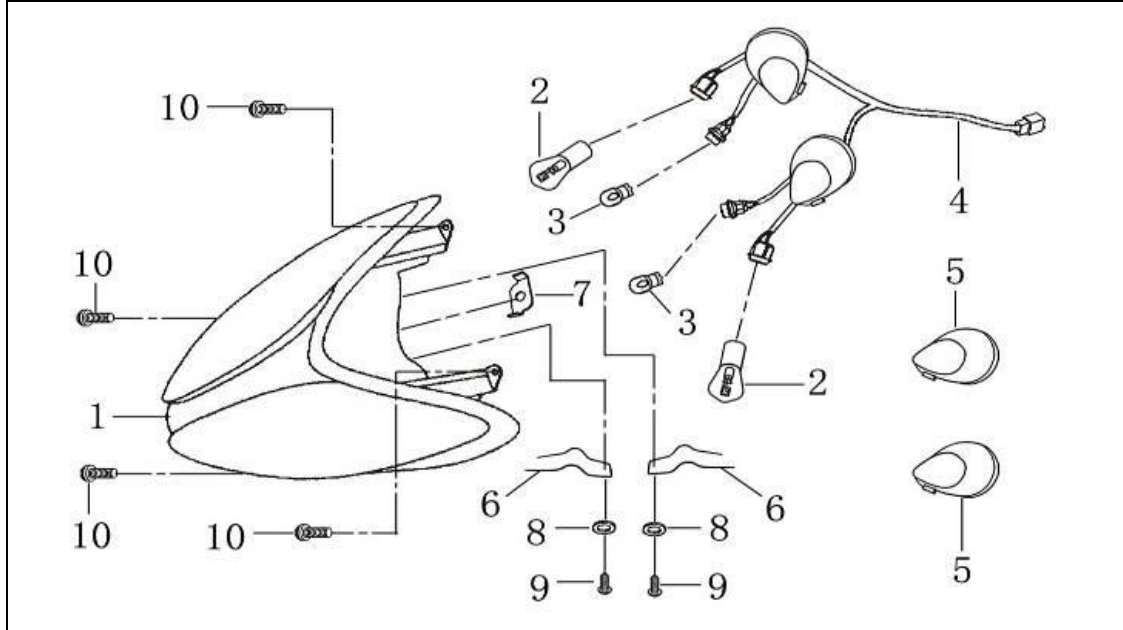
NO.	Part NO.	Description
1	YYLY15020001	Battery 12V7An
2	YYLY15020002	Cable, Positive Pole
3	YYLY15020003	Cable, Grounding
4	GB/T29.2-M6×10	Bolt, M6×10
5	YYLY15020004	Block

图 21	仪表	Model	YY125T-12
Draft 21	METER	Part No.	YYLY15021000



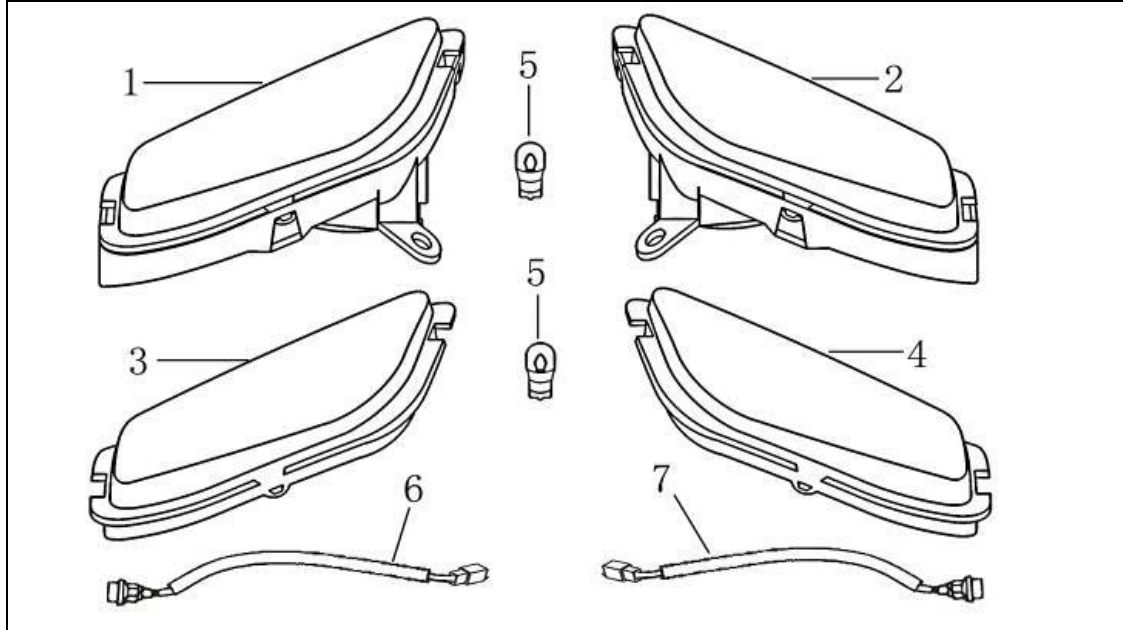
NO.	Part NO.	Description
1	YYLY15021001	Meter Assy
2	YYLY15021002	Wire Cable, Meter
3	YYLY15021003	Bulb, Meter Light 12V3W

图 22	前照灯	Model	YY125T-12
Draft 22	HEADLIGHT	Part No.	YYLY15022000



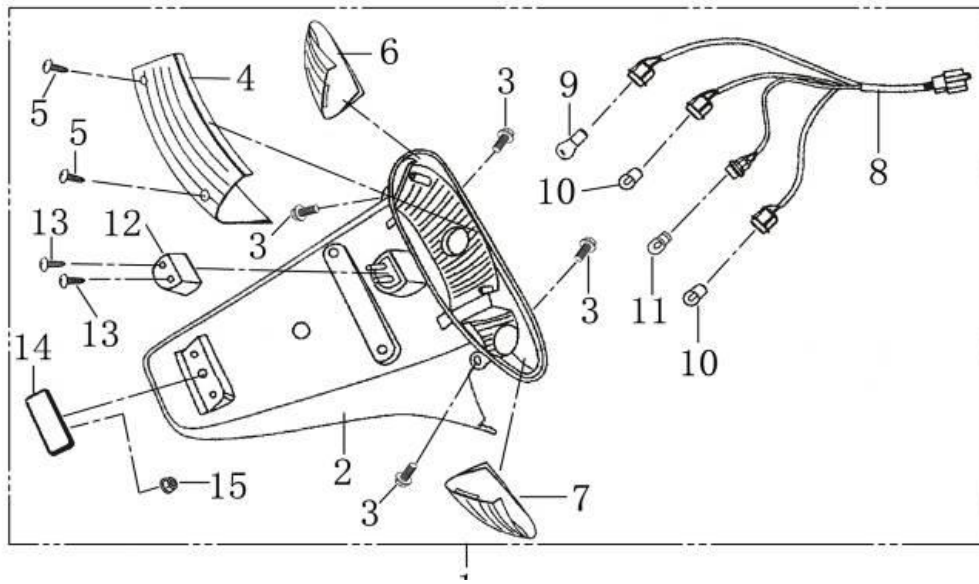
NO.	Part NO.	Description
		Headlight
1	YYLY15022001	Headlight Comp29.5
2	YYLY15022002	Bulb, Headlight 12V35W/35W
3	YYLY15022003	Bulb, Position Light 12V 5W
4	YYLY15022004	Wire Cable, Headlight
5	YYLY15022005	Dustproof Rubber Cover
6	YYLY15022006	Clip, Light Holder
7	YYLY15022007	
8	GB/T95-φ5	Washer, φ5
9	GB/T845-ST4.2×12	Screw, Tapping ST4.2×12
10	GB/T9074.1-M6×16	Screw with Washer, M6×16

图 23	前转向灯	Model	YY125T-12
Draft 23	FRONT TUR	Part No.	YYLY15023000



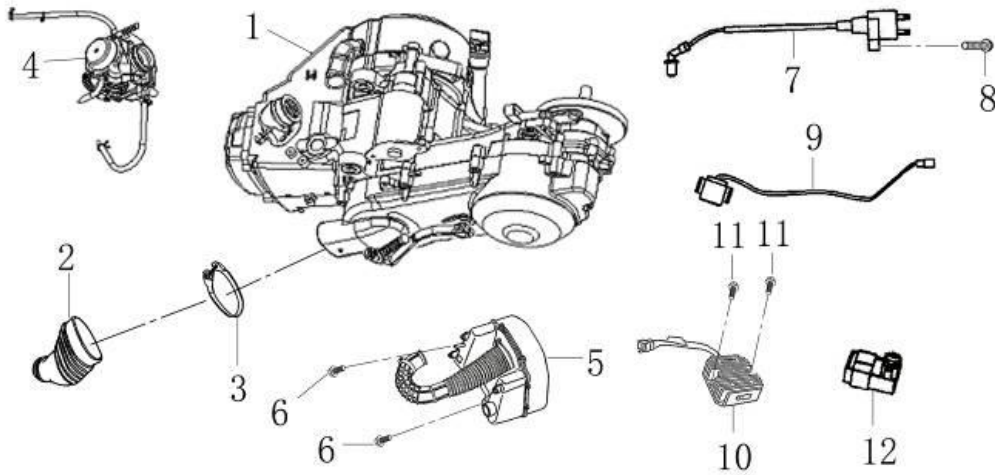
NO.	Part NO.	Description
1	YYLY15023001	L. Front Turning Light Assy
2	YYLY15023002	R. Front Turning Light Assy
3	YYLY15023003	Len, L. Front Turning Light
4	YYLY15023004	Len, R. Front Turning Light
5	YYLY15023005	Bulb, Front Turning Light 12V10W
6	YYLY15023006	Wire Cable, L. Front Turning Light
7	YYLY15023007	Wire Cable, R. Front Turning Light

图 24	尾灯	Model	YY125T-12
Draft 24	REAR LIGHT	Part No.	YYLY15024000



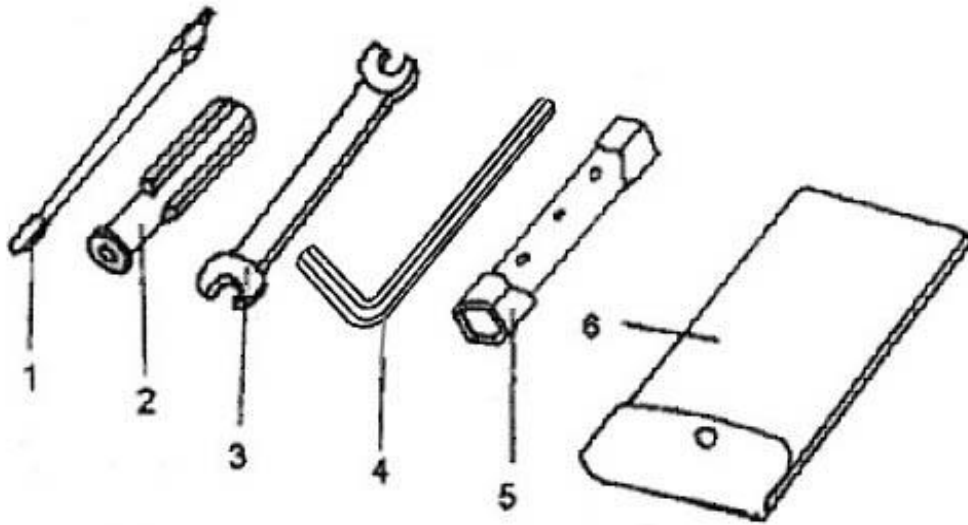
NO.	Part NO.	Description
1	YYLY15024000	Rear Light Assy
2	YYLY15024001	Holder, Rear Light
3	GB/T5789-M6×12	Flange Bolt, M6×12
4	YYLY15024002	Lens, Rear Light
5	GB/T845-ST4.2×16	Screw, Tapping ST4.2×16
6	YYLY15024003	Lens, L. Rear Turning Light
7	YYLY15024004	Lens, R. Rear Turning Light
8	YYLY15024005	Wire Cable, Rear Light
9	YYLY15024006	Bulb, Rear Light(12V/5w/21w)
10	YYLY15024007	Bulb, L. & R. Turning Light (12V,10w)
11	YYLY15024008	Bulb, Rear Registration Plate Light
12	YYLY15024009	Lens, Rear Registration Plate Light
13	GB/T845-ST4.2×12	Screw, Tapping ST4.2×12
14	YYLY15024010	Rear Retro Reflecting Device
15	GB/T6177.1-M5	Flange Nut, M5

图 25	发动机总成/	Model	YY125T-12
Draft 25	ENGINE COM	Part No.	YYLY15025000



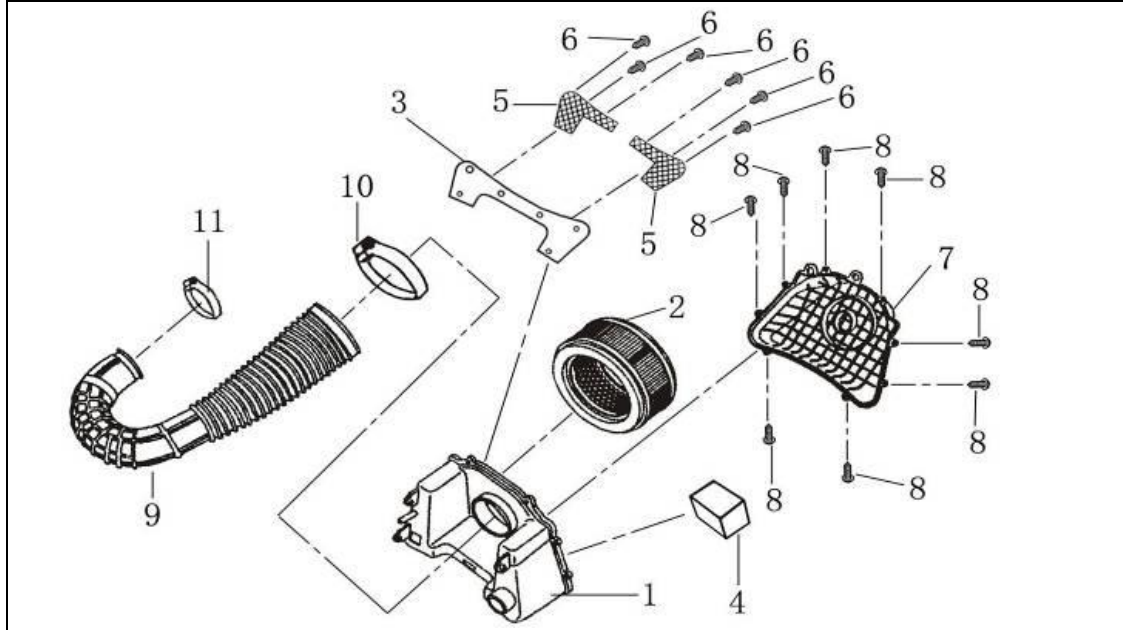
NO.	Part NO.	Description
1	YYLY15025001	Engine Assy
2	YYLY15025002	Air Inlet Pipe
3	YYLY15025003	Clip
4	YYLY15025004	Carburetor Assy
5	YYLY15025005	Air Cleaner Assy
6	GB/T5789-M6×16	Bolt, M6×16
7	YYPT15025006	Ignition Coil Assy
8	GB/T818-M6×35	Screw, M6×35
9	YYPT15025007	Starter Relay
10	YYPT15025008	Rectifier
11	GB/T5789-M6×16	Bolt, M6×16
12	YYZL15025009	CDI

图 26	随车工具	Model	YY125T-12
Draft 26	TOOLS ASSY	Part No.	YYLY15026000



NO.	Part NO.	Description
1	YYPT00026001	Double Ended Screw Driver
2	YYPT00026002	Screw Driver Socket
3	YYPT00026003	Double Ended Spanner 8-10
4	YYPT00026004	Inner Hex Spanner
5	YYPT00026005	Spark Plug Socket
6	YYPT00026006	Tools Bag

图 27	空滤器	Model	YY125T-12
Draft 27	AIR CLEANER	Part No.	YYLY15027000



NO.	Part NO.	Description
1	YYLY15027001	Body, Air Cleaner
2	YYLY15027002	Paper Filter Core
3	YYLY15027003	Sponge Filter Core
4	YYLY15027004	Air Intake Pipe Sponge Filter Core
5	YYLY15027005	Sponge Core Fence
6	GB/T845-ST4.8×12	Screw, Tapping ST4.8×12
7	YYLY15027006	Cover, Air Cleaner
8	GB/T845-ST4.2×12	Screw, Tapping ST4.2×12
9	YYLY15027007	Air Intake Pipe
10	YYLY15027008	Large Fixing Ring
11	YYLY15027009	Small Fixing Ring